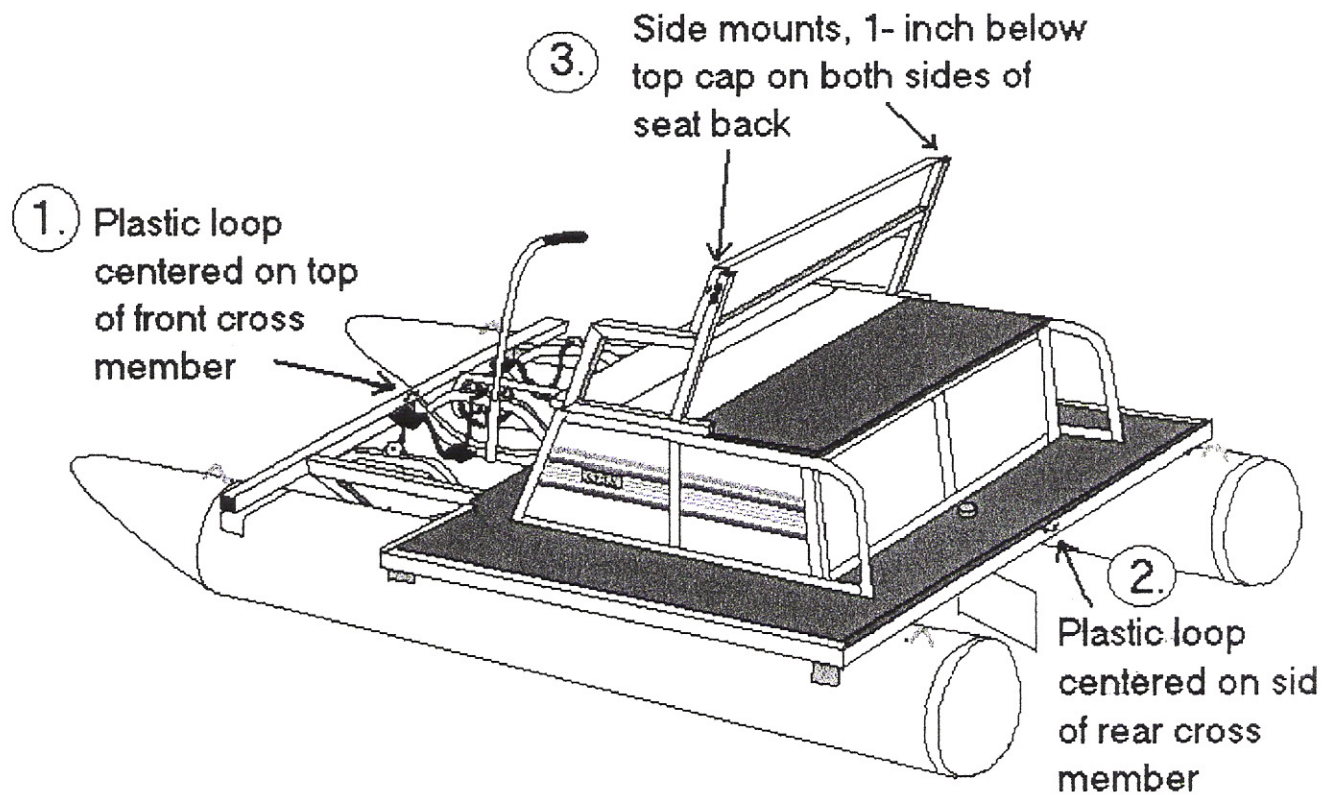


## Bimini mounting



1. With square headed self tapping screws attach plastic loop centered on the top of front cross member.
2. With square headed self tapping screws attach plastic loop centered on the side of rear cross member.
3. With square headed self tapping screws attach bimini side mounts to each side of seat back 1-inch below the top caps of seat back